

carpidraulic

ATTREZZATURE OLEODINAMICHE
PER CARRELLI ELEVATORI

41016 Rovereto s/S (MO) | Via Chiesa Sud, 134/A
Tel +39 059.672288 | Fax +39 059.671586

info@carpidraulic.it
www.carpidraulic.it

electronical lifter for the
handling of coils
for internal pick up

ASPO



The ideal solution for the coils handling lifted and picked up on the inside core. Essential for fragile materials that can not be picked up on the outer side. Ideal for positioning and picking up paper coils on the Aspo of printing machine and palletize them and vice versa. Very easy to handle and to use. Provided with an electromechanical traction with electronical control for a delicate approach to the material to be handled and to the printing machines. The left/right translation, essential for a proper positioning of the ASPO is made through an oil-hydraulic cylinder with



sliding on reinforcing rod treated with a thermic procedure. The machine is delivered with all security systems which complies with the last european normatives. Aspo rotates of 90°



by means of a cylinder with blocking valve, adjusting screws for the positoning.

The clamping pads functioning is made by means of a double effect cylinder with sliding of the steel part which have been subjected to a thermic procedure in order to be long lasting.



electronical lifter for the handling of coils for internal picking up **ASPO**

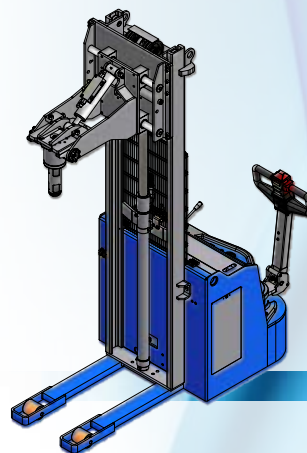
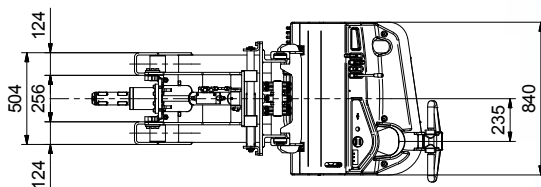
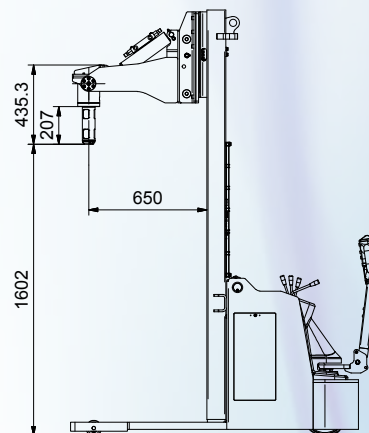
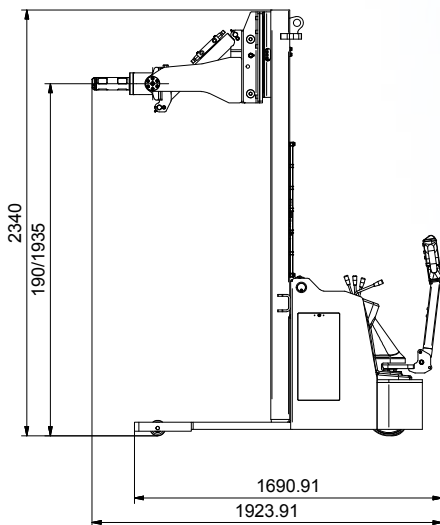
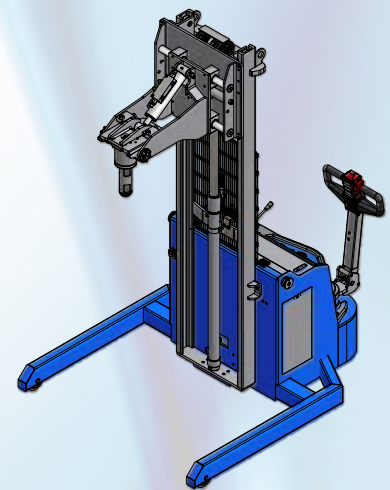
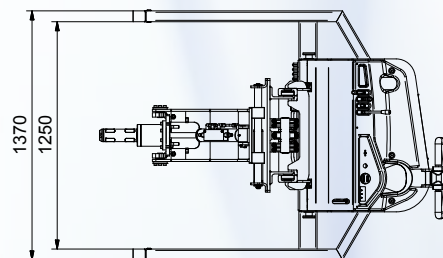
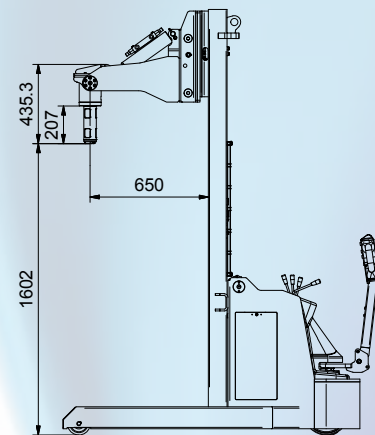
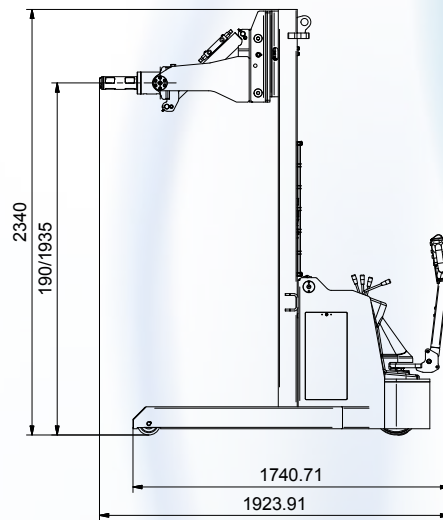


technical features

The capacity is of Kg. 600.

The standard machine is apt for the lifting of coils with diameter of the core of 76mm (3").

On demand special spacers can be supplied, they will be mounted by means of screws for the diameter 127 mm (5"), 152 mm (6") and 200 mm.



The machine is manufactured in two standard models: the first one with little base and the second one with wide base.

Besides, on request it can be supplied with an oil-hydraulic arm which avoids the unrolling of the coils (for example labels).

On demand it is also supplied a camera on the aspo and a screen on the machine.

The machine is covered by a patent.