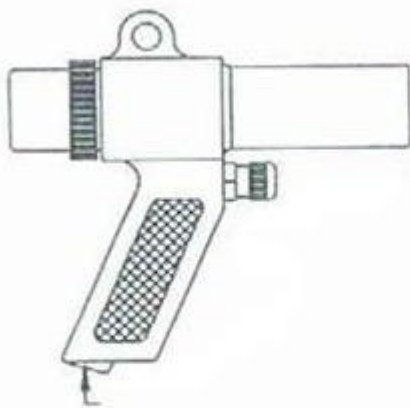


X-STREAM HAND VAC INSTALLATION & MAINTENANCE

Maintaining Optimum Performance

Filtration to maintain clean air is necessary at a rate of 25 microns or less. Nex Flow™ filters use five micron filtration elements and are properly sized for the X-Stream Hand Vac. If oil can be a problem, use an oil removal filter. Filter should be close to the Hand Vac (within 10 to 15 feet (3 to 4.6 meters)).

The compressed air lines should be sized to keep pressure drop to a minimum. Recommended air hose (not included) is 1/4" I.D. up to 10 feet (3 meters), and 3/8" I.D. hose up to 25 feet (7.6 meters). Do not use restrictive fittings that may cause excessive pressure drop in the air line.



Model 36001
 X-STREAM
 HAND-VAC



Model 0009263
 19" (48.3 cm)
 Straight Ext. Wand
 (two per kit) –supplied
 with all kits



Model 0027874
 Brush attachment –
 supplied with all kits



Model 0002247 reusable
 Collection bag with zipper
 And hose clamp supplied
 Supplied with Collection
 System and with All
 Purpose System



Model 7546637
 Skimmer Tool –
 supplied with all kits



Model 4673283 10 foot (3 m)
 Vacuum Hose with cuffs both
 Ends and hose clamp – Supplied
 With Transfer System and
 All Purpose System



Model 3738423
 Crevice Tool –
 supplied with all kits