

HAUG Ionization - for the elimination electrostatic charges



HAUG ionization systems

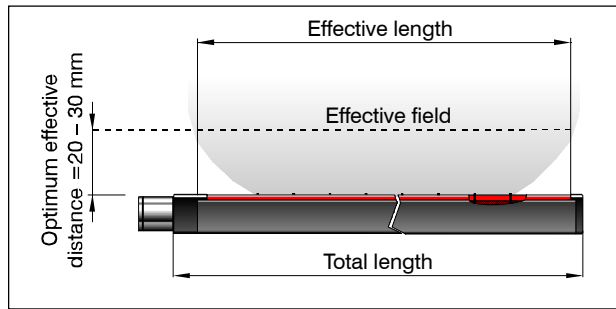
serve to neutralize electrostatic charges. These disruptive electrostatic charges can be found on various material webs, where they interfere with the production process and attract dust particles as well as other quality-reducing substances. For more than 45 years now, HAUG have been researching, developing and producing devices aimed at overcoming this problem, which affects all branches of industry where materials with poor electric conductivity are processed.

EI PS

The HAUG ionizing bar EI PS is a mini high-performance ionizer. Thanks to the "Power Technology" developed by HAUG, its operational effectiveness is clearly above other comparable ionizing bars. A particular advantage lies in the symmetry (ill.2) of the emitted ions: positive and negative particles approach the load carrier absolutely uniformly to give contact-free neutralization. They ensure reliable elimination of "spot charges" (ill.2).

Electrical connection at the power pack is effected via the gastight safety contact technology employed with the HAUG System X-2000. A screened coaxial safety cable connects the power pack and the ionizing bar. This protects the operator and the electronic machine system (see technical data on the reverse).

As for the ecology, all materials used are fully recyclable and, thanks to its easy fitting via a T-groove, the HAUG ionizing bar EI PS proves to be especially economic. The safety contact of the HAUG System X-2000 ensures electrical connection without the use of any tools. Last but not least, the mini format guarantees its application with practically every installation.



ill. 3

HAUG Ionization systems

are made up from the following components:
A power pack, which supplies the actual ionizer by means of a high voltage transformer with a mains voltage of 7-8 kV. The various ionizers are connected to this power pack.

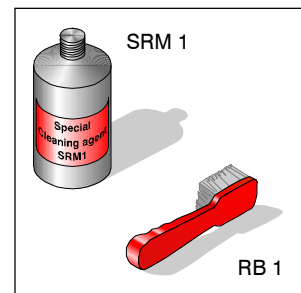
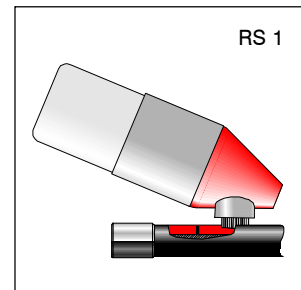
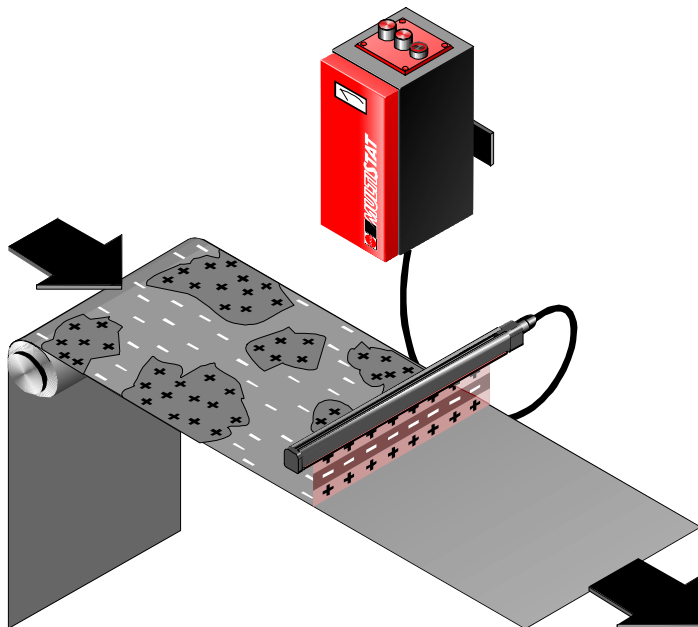
Relevant industries

- Plastic processing industry: Foil processing, packaging machines, foil extruders etc.
- Textile industry: Weaving mills, spinning mills, textile finishing machines etc.
- Graphics industry: Screen and tampon printing machines, photo and film processing machines, folding/ skiving machines etc.
- Spray/paint shops: Car spray/painting shops, painting/spraying of plastic components etc.

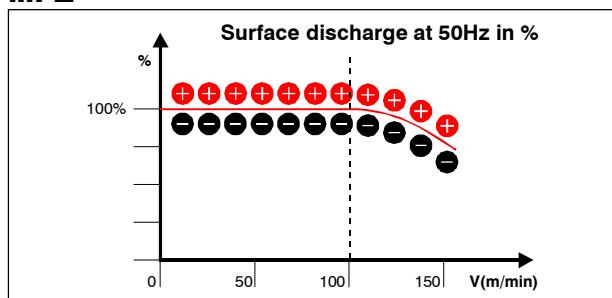
Greatest performance and safety with minimal dimensions:
EI PS "Power-Square" represents performance and shape squared!

ill. 1

EI PS



ill. 2



Tech Sales Co.

10520 Yonge Street, Unit 35B Richmond
Hill ON., L4C 3C7, Canada

USA & CANADA Call Toll Free :+1 877 797 2777
International Call :+1 416 410 1313

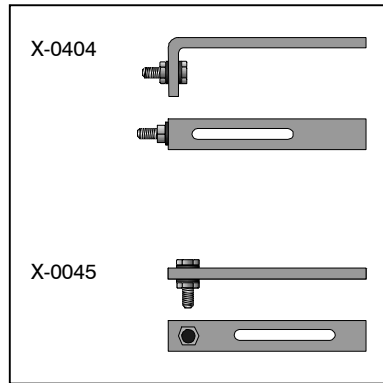
e-mail: sales@tech-sales.com
www.tech-sales.com

Static Line - Ionizing bar EI PS





Accessories



EI PS

Technical data EI PS

Types:	EI PS	radial cable outgoing Order-No.: 03.8097.000
	EI PS	axial cable outgoing, optional Order-No.: 03.8098.000

Dimensions:	14 x 16.5 mm
Length:	available from 60 mm
Operating temperature:	+5 °C to +45 °C
Storage/transport temperature:	-15 °C to +60 °C
Optimum effective distance:	20 – 30 mm
Effective length:	bar length - 20 mm
Smallest bending radius (cable):	R 50

Subject to technical changes!

Accessories

Bracket	Order-No.: X-0404
Holder plate	Order-No.: X-0045

Suitable power packs

Connectable lengths (ionizing unit incl. high-voltage cable):

EN SL	max. 5 m
EN SL LC	max. 10 m
EN 8	max. 18 m
EN 8 LC	max. 18 m
Multistat	max. 18 m
EN 70 / EN 70 LC	max. 2 x 18 m

