

HAUG Ionization - for the elimination of electrostatic charges



HAUG ionization systems

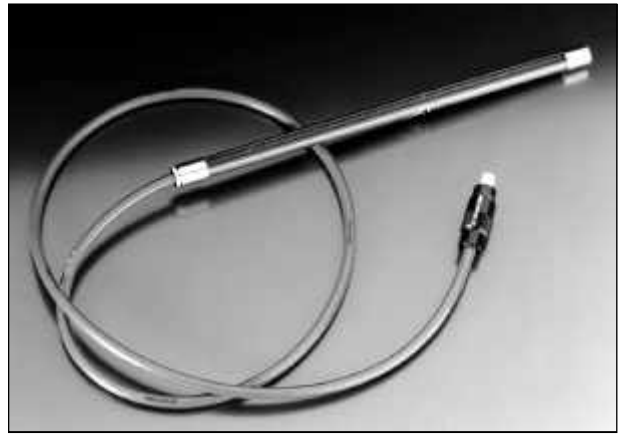
serve to neutralize electrostatic charges. These disruptive charges can be found on various material webs, where they interfere with the production process and attract dust particles as well as other quality-reducing substances.

For more than 45 years HAUG has been researching, developing and producing devices aimed at overcoming this problem. This concerns all industries which are processing materials with poor electrical conductivity.

EI VS

The HAUG EI VS ionizing bar reliably removes electrostatic charges and its performance, when compared to the standard version, is considerably enhanced.

The EI VS ionizing bar has all of the typical features that characterize HAUG ionizing bars: the reliable and removable connection system, the shielded high-voltage cable (ill. 3 and 4), the special stainless-steel electrodes and the convenience of being safe to touch.



EI VS

HAUG ionization systems

HAUG ionization systems consist of the following components:

- a power pack with integrated high-voltage transformer and
- one or several connected ionizing devices supplied by the power pack with a voltage of 7-8 kV.

ill. 1

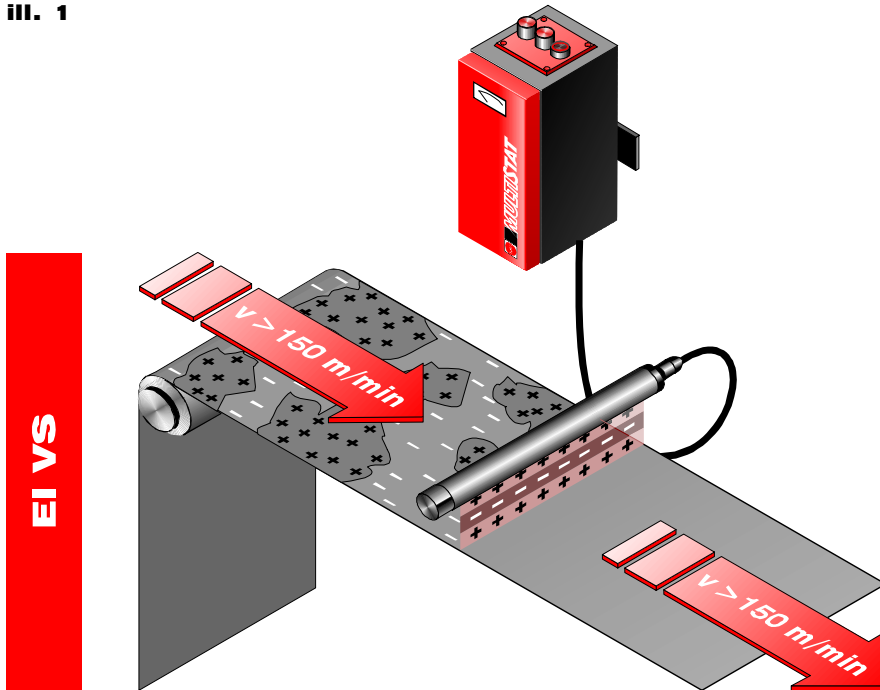
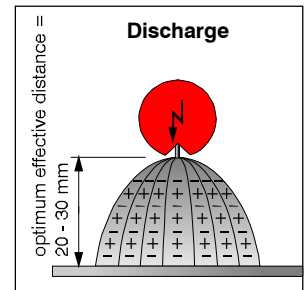


photo 2



ill. 2



The electrical capacity is three times as great as the standard version and, therefore, it is necessary to base any power pack load calculations on a bar length three times as long.

Example: EI VS 50 cm with 200 cm cable
Power pack load: 3 x 50 cm + 200 cm = 350 cm

Also available: EI VSE, EI VSA, EI VSAE (p.t.o.)

Applications

- Plastic processing industry: Film processing, packaging machines, film extruders, etc.
- Textile industry: Weaving and spinning mills, textile finishing plants, etc.
- Graphic industry: Screen and pad printing machines, photographic and film processing machines, folding machines, etc.
- Paint shops: Car painting, painting of plastic components, etc.

ill. 3



ill. 4



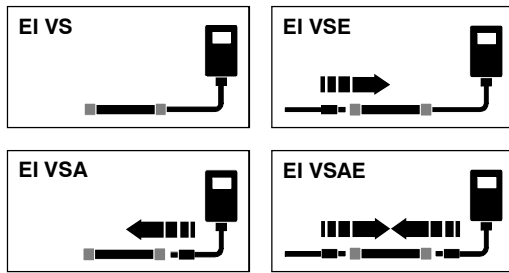
Tech Sales Co.

10520 Yonge Street, Unit 35B Richmond
Hill ON., L4C 3C7, Canada

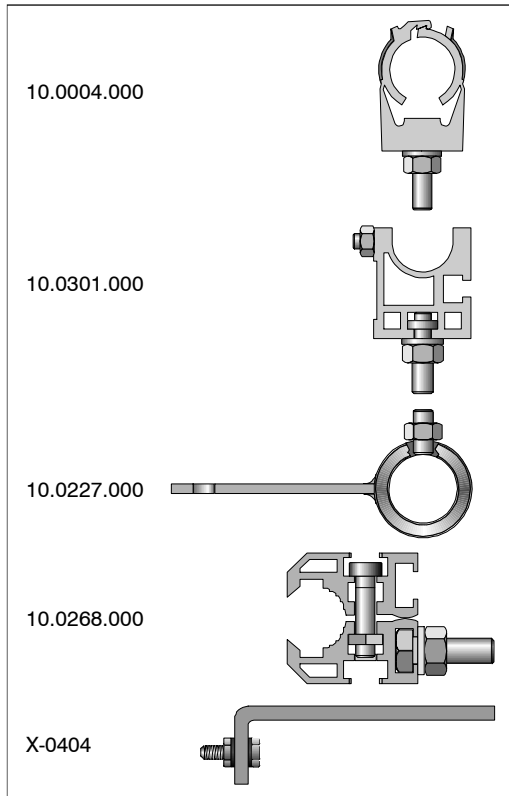
USA & CANADA Call Toll Free :+1 877 797 2777
International Call :+1 416 410 1313

e-mail: sales@tech-sales.com
www.tech-sales.com





Bar holder



EI VS

Technical data EI VS

- Types:
- EI VS** Order-No.: 03.8020.000
special bar for high charges on high-speed machines, cable and bar inseparable.
HV-cable Order-No.: 06.0210.000
 - EI VSE** Order-No.: 03.8022.000
as EI VS, with HV-connection on end of bar for series connection of ionizing units
 - EI VSA** Order-No.: 03.8021.000
for connection of a highly flexible, detachable HV-cable
VK Norm 21 Order-No.: 05.8517.000
VK Norm 22 Order-No.: 02.8522.000
VK Norm 23 Order-No.: 05.8519.000
VK Norm 24 Order-No.: 05.8518.000
 - EI VSAE** Order-No.: 03.8023.000
as EI VSA, with HV-connection on end of bar for series connection of ionizing units

- Diameter: 18 mm / 20 mm
- Length: 150 mm – 2500 mm
- Operating temperature: +5 °C to +45 °C
- Storage/transport temperature: -15 °C to +60 °C
- Optimum effective distance: 20 – 30 mm
- Effective length: bar length - 120 mm
- Smallest bending radius (cable): R 50

Subject to technical changes!

Accessories

- Bar holder "Klick-Zack" Order-No.: 10.0004.000
- Bar holder, closed Order-No.: 10.0227.000
- Clamping holder, 2 parts Order-No.: 10.0268.000
- Bracket, large Order-No.: X-0404 a.o.

Suitable power packs

- Connectable lengths (ionizing unit incl. high-voltage cable):
- EN SL max. 5 m
 - EN SL LC / EN SL RLC max. 10 m
 - EN 8 / EN 8 LC max. 18 m
 - Multistat max. 18 m
 - EN 70 / EN 70 LC max. 2 x 18 m

Please pay attention to the multiplier (see verso)!

